

The Global Leader in Hydraulic Fluid Conditioning Technology with a Commitment to Continuous Improvement Through Lean Manufacturing.

Scope of Supply



Through vertical production integration and one piece flow, Helgesen has produced “street based manufacturing” which provides customers with a global solution for quality and cost competitive product, regardless of manufacturing location.

Hydraulic Tank Systems Design

Through extensive hydraulic fluid analysis, Helgesen has developed multiple patented technologies to improve fluid performance, becoming the global leader in hydraulic fluid conditioning reservoirs.

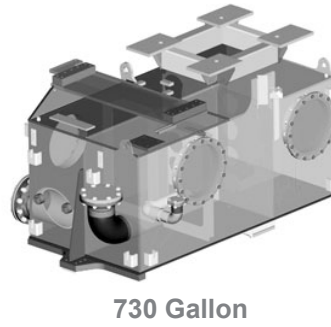
- Reduction in Tank Cost
- Improved Oil Life
- Enhanced Filtration
- Reduction of Tank Size
- Improved Hydraulic Efficiency
- Remote Filter Placement
- Reduction of Hydraulic Fluid
- Rapid De-aeration



Configurable



Configurable



730 Gallon

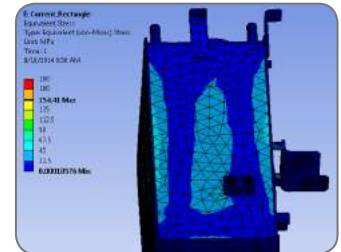
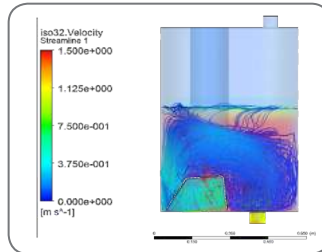


35 Gallon Plastic

Product Validation and Testing

Capabilities to validate design and quantitatively analyze hydraulic fluid properties and performance:

- CFD Simulation
- FEA Simulation
- Lab Simulation – multi-pump, variable flow rates, cylinder extension, variable grade
- On Machine Testing – fluid condition, pressure, temperature, flow rate



www.helgesen.com

UNITED STATES & CORPORATE HEADQUARTERS

Helgesen
1055 W. Sumner Street
Hartford, WI 53027

+1 262-709-4444 PHONE
+1 262-709-4409 FAX
sales@helgesen.com

Manufacturing Plant #2
1720 Innovation Way
Hartford, WI 53027



SOUTH AMERICA

Helgesen Ethos Industrial, Ltda.
Rodovia SP 129, Km 15 CEP
18550-000 Boituva-SP Brazil

brazilsales@helgesen.com



EUROPE

Helgesen Sp. z o.o.
ul. Ołowiana 18
85-461 Bydgoszcz, Poland

+48 52 522 2294 PHONE
+48 52 522 2296 FAX
eusales@helgesen.com

CHINA

Helgesen Yuao Machinery (Tianjin) Ltd.
NO. 22, Quanda Road
Wuqing District, Tianjin, China

chinasales@helgesen.com