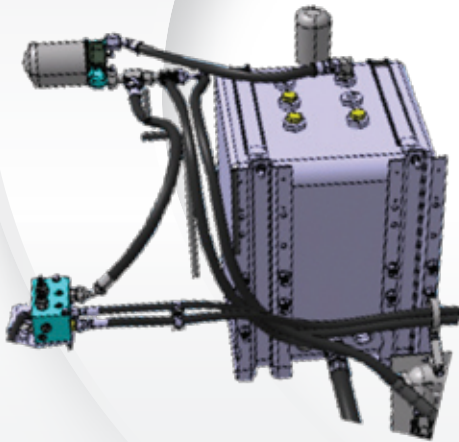




Airport Rescue Vehicle

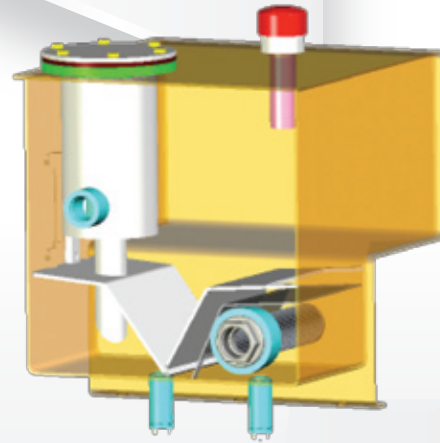
“During the development of this vehicle upgrade, Helgesen provided realistic performance improvements as well as cost and weight reductions. These improvements aided in meeting the performance requirements needed for a successful program launch.”

**Oshkosh ARFF Product Engineers**



Former State

38 Gallon Hydraulic Reservoir



Current State

13 Gallon Hydraulic Reservoir

### Challenge:

- To develop a hydraulic reservoir solution that reduces weight, cost and line assembly time for their Tier IV Airport Rescue Vehicle line
- Meet the additional requirement for eco-friendly filter changes

### Solution:

- Utilize HydroNucleation technology to reduce weight by 15%, installed cost by 32% and shorten assembly line time by 25 minutes
- Provide a self-contained hydraulic filter element for eco-friendly replacement.

