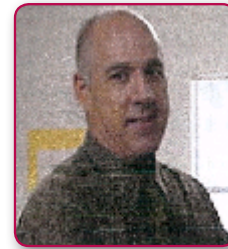


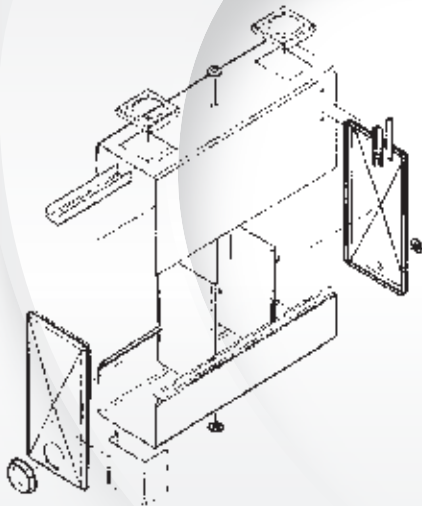


Refuse Truck



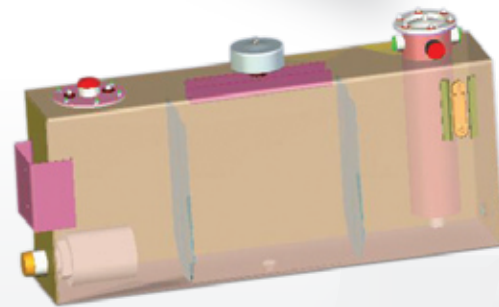
**Tony Kouri**  
– President

“Working with Helgesen allowed me to address and meet both of my objectives.”



Former State

150 Gallon Tank Assembly



Current State

150 Gallon Tank Assembly

### Challenge:

- Oil leaking from filter assembly
- Need for one universal reservoir for all models

### Solution:

- Integrate filter assembly into reservoir to eliminate leak points.
- Utilize Helgesen design toolsets to optimize available working envelope, resulting in a common fluid conditioning system across multiple truck models.